



EL LEON

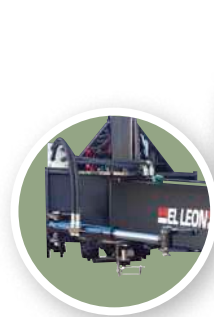


The "El León" Hydraulic Grader Blade is of great help in work, both in agricultural and construction sectors, through the forest area.

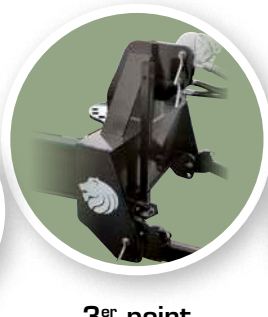
Some of the jobs for which it is very useful are: filling of ditches, leveling of land, repair of roads & gutters, cleaning farms, work of channeling, snowplow...

Depending on the work to be carried out, the Hydraulic Grader Blade "El León", can be hooked where it is most convenient, either in the front hitch or in the third point of the tractor.

hydraulic grader blade



Blade lateral displacement



3^{er} point tractor hitch



Blade vertical drop cylinder



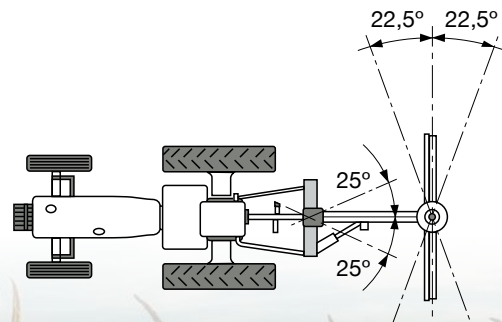
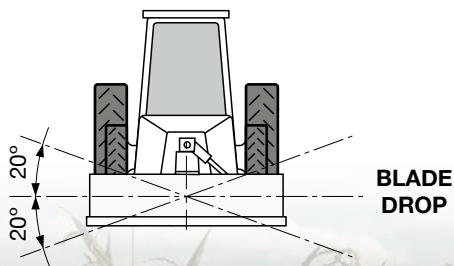
Very robust swing arm



Blade twist 360°



Reversible bolt-on blade



HYDRAULIC GRADER BLADE

Blade width (mm.)	1.800	2.200	2.600	3.000
Blade twist (every 22,5°)	360°	360°	360°	360°
Blade displacement (on each side)	25°	25°	25°	25°
Blade vertical drop (on each side)	20°	20°	20°	20°
Machine weight (Kg.)	663	691	719	747



EL LEON

Polígono Valdeferrín 104. Apdo. 23
50600 Ejea de los Caballeros. Saragossa
Tel. +34 976 660 258 | Fax +34 976 660 170
info@el-leon.es www.el-leon.es



www.facebook.com/palasselleon

SARAGOSSA DELEGATION
Vía Universitat, 6, 8^o 3^a
Tel. +34 976 660 258
50009 Saragossa SPAIN
palas@el-leon.es