



EL LEON

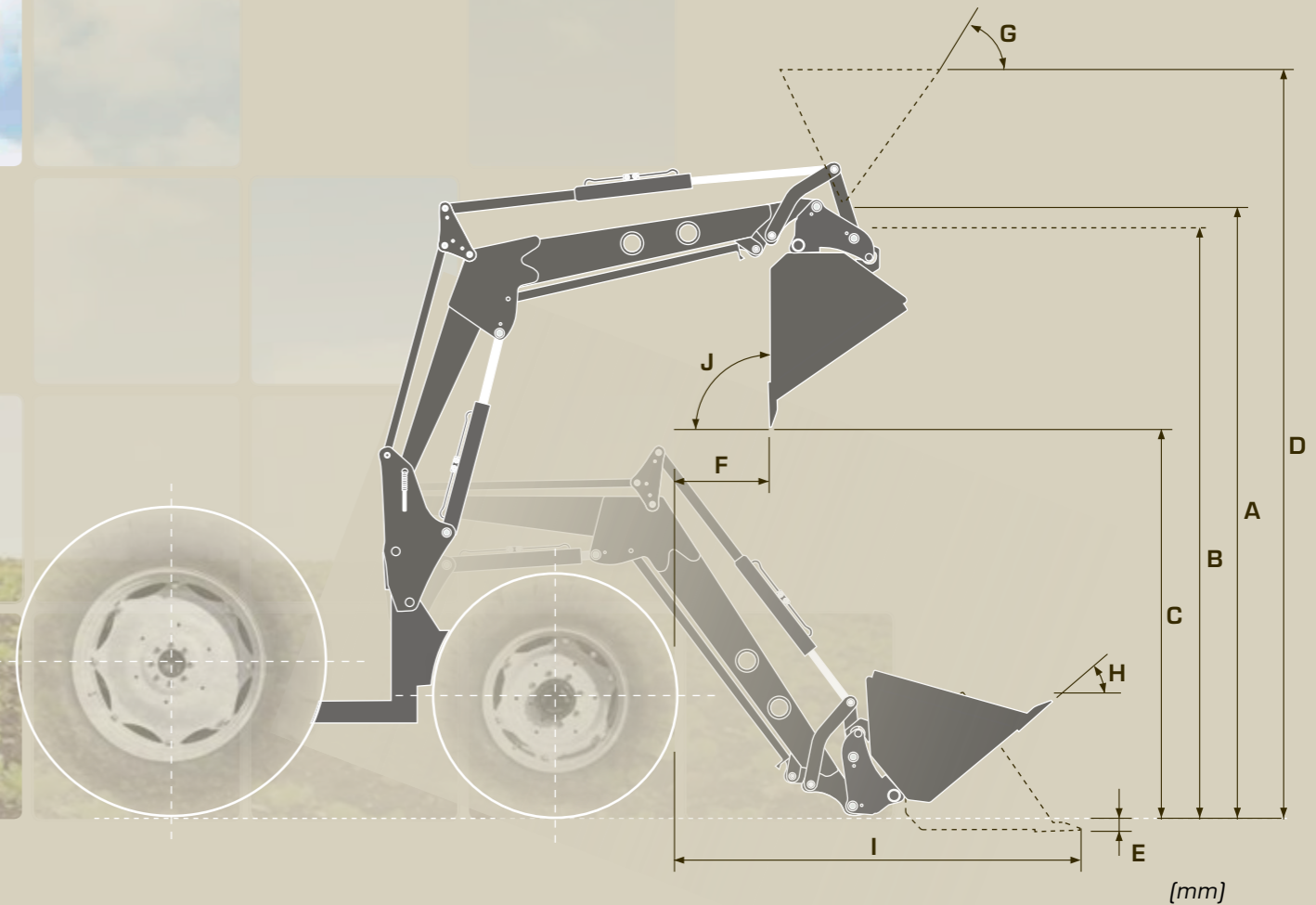
serie **Europa**



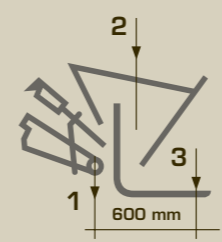


the best performance

- + power
- + vision
- + compatibility
- euro-lock



	A	B	C	D	E	F	G	H	I	J
320F	3.200	2.990	2.325	3.735	130	380	51°	42°	1.450	76°
340E	3.400	3.190	2.530	3.950	140	450	49°	44°	1.450	79°
370E	3.700	3.480	2.740	4.325	150	575	45°	42°	1.500	80°
385E	3.850	3.640	2.930	4.475	160	500	48°	43°	1.750	76°
410E	4.100	3.890	3.180	4.725	160	500	49°	43°	1.900	76°
430E	4.300	4.150	3.350	4.950	160	450	56°	43°	1.950	67°
470E	4.700	4.500	3.750	5.350	165	700	54°	42°	2.050	68°



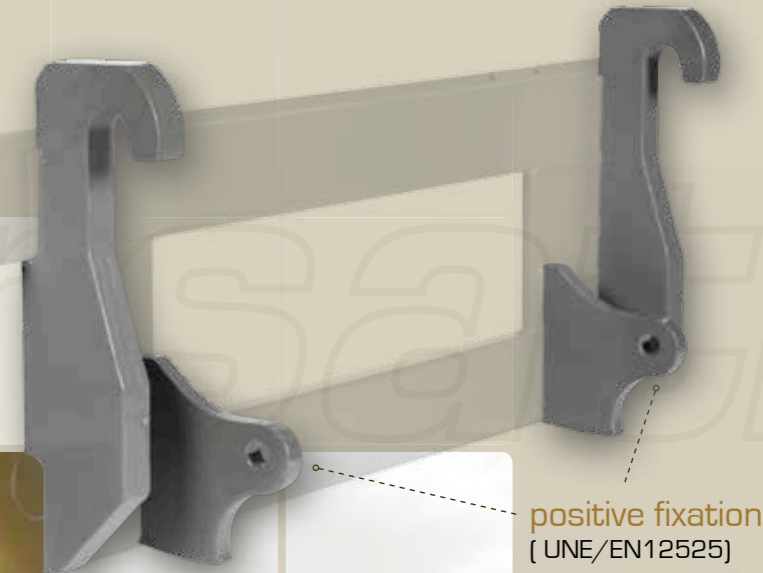
	kg		
	1	2	3
320F	1.350	1.000	900
340E	1.600	1.200	1.050
370E	2.130	1.500	1.250
385E	2.800	2.100	1.700
410E	2.300	2.000	1.600
430E	2.500	1.900	1.700
470E	2.800	2.090	1.950

	seconds			
	↑	↓	↻	↻
320F	3,7	2,0	1,6	2,7
340E	4,4	2,5	2,0	3,0
370E	4,5	3,0	1,5	2,5
385E	6,0	4,0	2,5	3,5
410E	6,0	4,0	2,5	2,5
430E	7,0	4,0	2,3	3,5
470E	6,2	4,1	2,3	3,4

Model 340E: Values obtained at 180 bars pressure and 50 lts/min flow.
 Models 370E - 430E: Values obtained at 190 bars pressure and 60 lts/min flow.
 Model 470E: Values obtained at 200 bars pressure and 80 lts/min flow.

All models serie Europa allow an excellent frontal view. The new position of the crossing bars improve the visual field of the driver

ultravision



eurolock

Compatible with most implements provided by european producers

interchange

Practically all our frontal loaders are 1.050 mm of width. As a result, they can be used in tractors of different model or brand.

You only have to adapt each tractor with a suitable subframe. Loader's connection is automatic.



freedom of choice

You can choose your implement supplier

sharing is easy

You can share your implements with other farmers, even if they own a different loader brand



serie **Europa**



1
Fitted articulations



2
Loader automatic connection



3
Multi-plug plate "ecologic"



4
Double effect cylinders



5
Arm integrated support legs



6
Lubrication from outside



7
Multiplug plate 3rd function (optional)



8
Automatic implement lock EURO



9
Shock absorber (optional)

+ power



Frontal loaders designed to obtain the best parallel levelling as loading heavy charges



Strong subframes for high level performance

▶ **lifted load at the top standard**
2.000 kg

▶▶ **option extra-forte**
2.500 kg

more comfort

Our optional devices availables for E series make more easy and comfortable the farmer work

pack comfort

Comfort for the operator.
4 positions ergonomic lever.
Shock absorber when driving



eco multiplug plate

Easy connection
and ecological care



3function plug plate

Quick change of
3rd function implements



implements



soil bucket with teeth

mm	lts
1.400	375
1.600	425
1.700	450
1.800	475
2.000	530
2.200	585
2.400	640



sugar-beet bucket

mm	lts
1.800	900
2.000	1.000
2.200	1.100
2.400	1.200



pallet fork

- features**
- extensible prongs
 - hydraulic lateral unload
 - hydraulic extensible prongs



branches and logs grip

- features**
- extensible prongs



clearance bucket

mm	lts
1.600	426
1.800	375
2.000	400
2.200	455
2.400	495



stone bucket

mm	lts
1.500	610
1.600	617
1.800	631
2.000	645



bale fork

- features**
- 2 vertical prongs
 - 2 horizontal prongs



round bale grip

- features**
- Ø 1.000 to 1.400 mm
 - Ø 1.200 to 1.800 mm



grain supplement

mm	lts
1.600	-
1.700	-
1.800	-
2.000	-
2.200	-
2.400	-



manure fork

mm	lts
1.300	-
1.500	-
1.600	-
1.800	-
2.000	-
2.200	-



multi big-bales fork

- features**
- 3 folding prongs
 - 4 folding prongs



sweeper bucket

width mm
1.600
1.800
2.000
2.200



grain bucket

mm	lts
1.600	700
1.800	900
2.000	1.000
2.200	1.100
2.400	1.200



pelican bucket

mm	lts
1.500	-
1.600	-
1.800	-
2.000	-
2.200	-



crocodile grip

- features**
- 1.500 mm
 - 1.700 mm
 - 2.000 mm
 - 2.200 mm



bulldozer - angledozer

width mm
1.800
2.000
2.200
2.400



potato bucket

mm	lts
1.800	1.000
2.000	1.125
2.200	1.250
2.400	1.375



high tip bucket

mm	lts
1.800	900
2.000	1.000
2.200	1.100
2.400	1.200



logs grip



silos cutter

- features**
- 1.500 mm for loader
 - 1.500 mm to 3rd point



EL LEON

Polígono Valdeferrín 104. Apdo. 23
50600 Ejea de los Caballeros. Zaragoza
Tel. 976 660 258
Fax 976 660 170

info@el-leon.es
www.el-leon.es

 www.facebook.com/palasselion

DELEGATION ZARAGOZA

Via Universitat, 6, 8^a 3^a
Tel. 976 558 457
50009 Zaragoza
palas@el-leon.es