

Frontal loader Serie Europa

For tractors from
45 to 215 cv



1
Fitted articulations



2
Loader automatic
connection



3
Multi-plug plate
"ecologic" FASTER



4
Arm integrated
support legs



5
Structural tubes



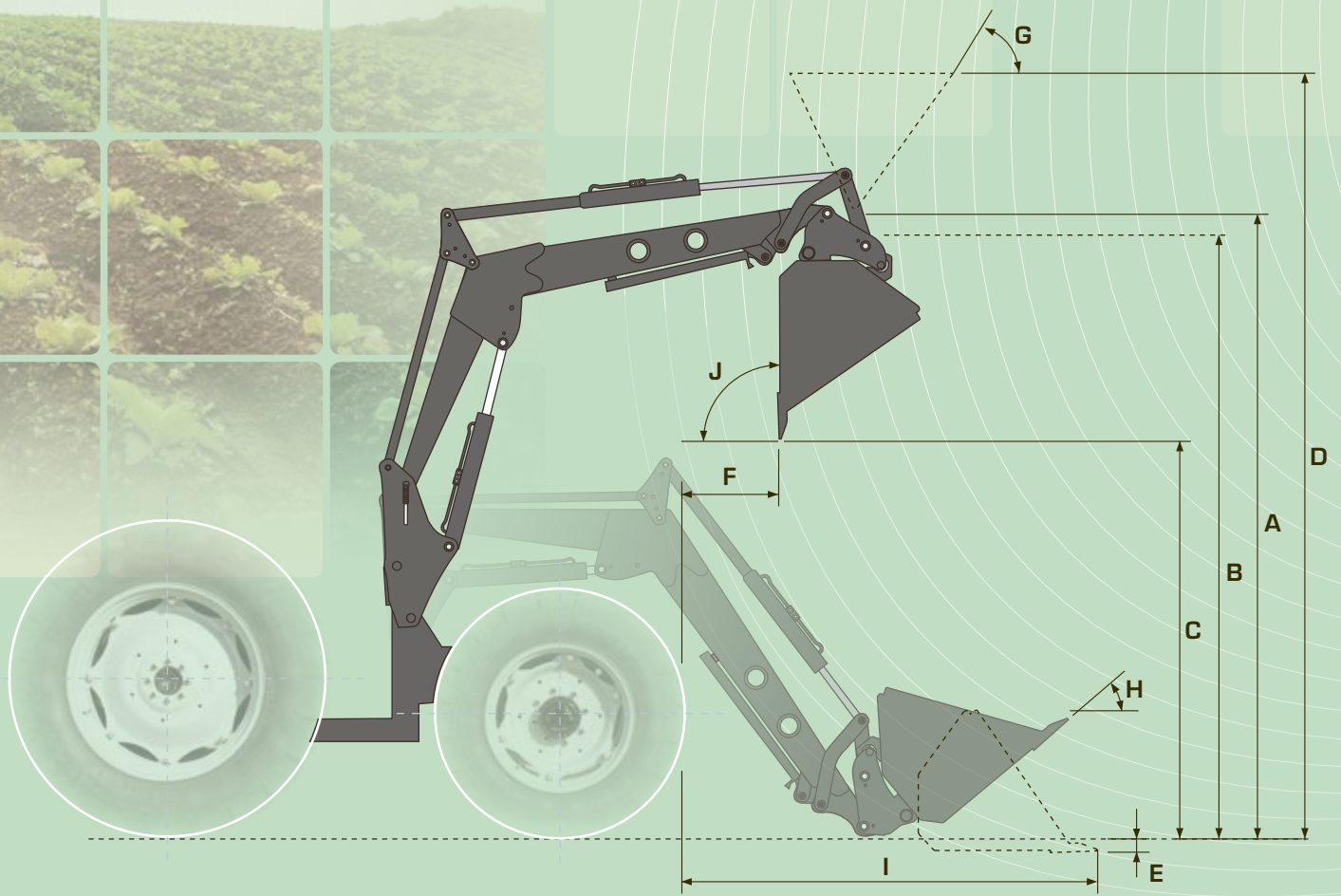
6
Automatic implement
lock EURO



7
Shock absorber
(optional)

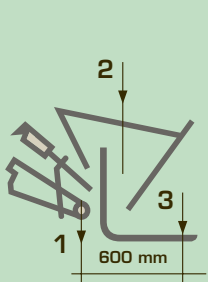
serie Europa





(mm)

	A	B	C	D	E	F	G	H	I	J
320F	3.200	2.990	2.325	3.735	130	380	51°	42°	1.450	76°
340EF	3.400	3.190	2.530	3.970	140	450	49°	44°	1.450	79°
370E	3.700	3.480	2.740	4.300	150	575	45°	42°	1.500	80°
385E	3.850	3.640	2.930	4.450	160	500	48°	43°	1.750	76°
410E	4.100	3.890	3.180	4.750	160	500	49°	43°	1.900	76°
430E	4.350	4.150	3.350	5.050	160	450	56°	43°	1.950	67°
470E	4.700	4.500	3.750	5.350	165	700	54°	42°	2.050	68°



	1	2	3
320F	1.350	1.000	900
340EF	1.600	1.200	1.050
370E	2.130	1.500	1.250
385E	2.800	2.100	1.700
410E	2.300	2.000	1.600
430E	2.500	1.900	1.700
470E	2.800	2.090	1.950

kg



seconds

	↑	↓	↻	↻
320F	3,7	2,0	1,6	2,7
340EF	4,4	2,5	2,0	3,0
370E	4,5	3,0	1,5	2,5
385E	6,0	4,0	2,5	3,0
410E	6,0	4,0	2,5	3,0
430E	7,0	4,0	2,3	3,5
470E	6,2	4,1	2,3	3,4

Mod. 320F and 340EF Values obtained at 180 bars pressure and 50 l/min flow.

Mod. 370E - 430E Values obtained at 190 bars pressure and 60 l/min flow.

Mod. 470E Values obtained at 200 bars pressure and 80 l/min flow.



Polígono Valdeferrín 104. Apdo. 23
 50600 Ejea de los Caballeros. Zaragoza
 Tel. +34 976 660 258 - +34 976 660 262
 Fax +34 976 660 170
 info@el-leon.es
www.facebook.com/palasselleon
www.el-leon.es

ZARAGOZA DELEGATION
 Vía Universitat, 6, 8º 3ª
 Tel. +34 976 558 457
 50009 Zaragoza
 palas@el-leon.es